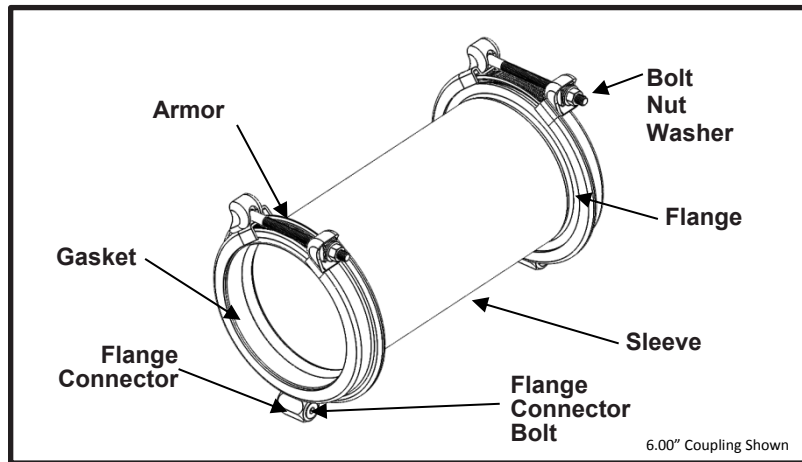


SPECIFICATION

TOP BOLT® WIDE RANGE TWO BOLT COUPLING MODEL 422



APPLICATIONS

- **Typical Uses**
 - Joining a wide range of plain-end pipe of same outside diameters
 - Joining a wide range of plain-end pipe of different outside diameters with same nominal size
 - Replace split or excessively damaged pipe
- **Standard Pipe Sizes**
 - 2" to 12" nominal
- **Type of Pipe**
 - Carbon Steel, Stainless Steel, Ductile Iron, Asbestos Cement, PVC, HDPE, Copper Tube
(see notes for thin wall PVC & HDPE applications)
- **Working Pressure**
 - 260 psi

MATERIALS

- **Flange**
 - Carbon Steel per ASTM A283C, A285A or A36
 - Flexi-Coat® fusion bonded epoxy finish which meets application methods AWWA C213
 - Integral bolt head pocket for one wrench installation
 - Split flange design
- **Sleeve**
 - Carbon Steel per ASTM A283C, A285A or A36
 - Flexi-Coat® fusion bonded epoxy finish which meets application methods AWWA C213
 - Twice the length of Standard 421 Series Top Bolt® Coupling
- **Gasket**
 - Nitrile (Buna-N) per ASTM D2000
 - NSF/ANSI 61 and 372 certified
 - Compounded to resist water, oil, acids, alkalis, most (aliphatic) hydrocarbon fluids, and many other chemicals
 - Temperature range: -20°F to +180°F
 - Bi-Directional removable inner gasket to accommodate wide range of pipe
 - Inner gasket can be reinstalled after removal
 - Allow for up to 8° (4° per end) of pipe deflection



SPECIFICATION

TOP BOLT® WIDE RANGE TWO BOLT COUPLING

MODEL 422

- **Armor**
 - Hardened Type 304 Stainless Steel
 - Corrugated design helps reduce friction for better sliding action when tightening
- **Bolt**
 - Type 304 Stainless Steel
 - Epoxy Coated to help prevent galling
 - 9/16" - 12 UNC, Swivel Head Bolt with swivel washer on opposite side
 - Rolled threads for improved physical characteristics, greater thread accuracy, and smooth surface finish
 - Only 2 bolts for ease of fitting installation and removal
- **Flange Connector Bolt**
 - Type 304 Stainless Steel
 - 1/2" - 13 UNC, Countersunk Allen Head
- **Steel Washer**
 - Type 304 Stainless Steel
 - 9/16"
- **Nylon Washer**
 - Nylon 6/6
 - 9/16"
 - Located under Steel Washer for better transfer of bolt torque
- **Nut**
 - Type 304 Stainless Steel
 - 9/16" - 12 UNC
 - Fluoropolymer finish to prevent galling

LISTINGS

- UL certified to NSF/ANSI 61 and 372
- Meets applicable AWWA C219 standards

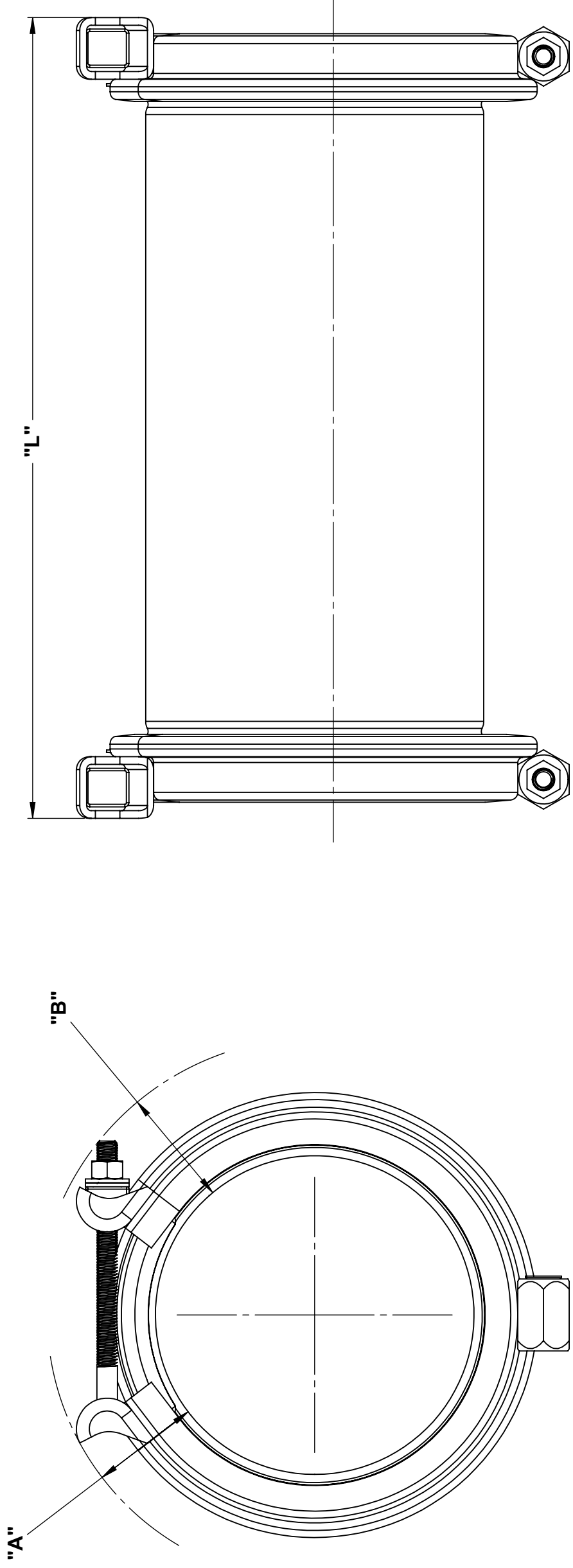
OPTIONS

- Anode connector for cathodic protection

NOTES

- This product **does not** restrain the pipe from pulling out of the fitting
- Pipe stiffeners **are required** when this product is used on HDPE and thin wall PVC pipe
- Top-Bolt® and Flexi-Coat® is a registered trademark of Smith-Blair Inc.
- These product specifications were correct at the time of publication and are subject to change without notice
- See the Smith-Blair® web site for part numbers and ordering information
- See the Smith-Blair® web site for warranty information
- See the Smith-Blair® web site for corrosion warnings

30 Globe Ave, Texarkana, AR 71854
Ph: 870-773-5127 • Fax: 870-773-5212
Toll-Free Numbers: Ph: 800-643-9705 • Fax: 800-648-6792



CERTIFIED TO NSF/ANSI 61-G & 372

NOTES:

- SEE CATALOG FOR PART NUMBERS AND RANGES
- 6.00" COUPLING SHOWN OTHER SIZES SIMILAR

NOMINAL SIZE (IN)	A	B		L	BOXED WEIGHT (LBS)
		OPEN	CLOSED		
2	2.88	3.50	5.00 Max	12.00	10.50
3	2.88	3.50	5.00 Max	16.00	15.70
4	3.00	3.50	5.00 Max	16.00	26.10
6	3.00	3.50	5.00 Max	21.00	39.00
8	3.00	3.00	5.00 Max	21.00	48.50
10	3.13	3.00	5.00 Max	21.00	58.00
12	3.25	3.00	5.00 Max	21.00	67.00

WRENCH SIZE CHART

NUT	SIZE
1/2"-13UNC ALLEN	5/16"
9/16"-12UNC	7/8"

TOLERANCES U.N.O. XX= ±.03 XXX= ±.015 FRACTIONS= 1/16 ANGLES= ±1° MACH. FIN.	NOTES: REMOVE BURRS AND SHARP EDGES DO NOT SCALE DWG.	APP'D	DATE
SCALE: N/A		CK'D	DATE
ALL DIMENSIONS ARE IN INCHES.		DRN	DATE
TITLE SPECIFICATION TOP BOLT® WIDE RANGE TWO BOLT COUPLING MODEL 422		BCM	6/8/14
SMITH-BLAIR, Inc. TEXARKANA, ARKANSAS		P/N	N/A
DWG. NO. SPEC_422.DRW		1 OF 1 SHEET	3/8/16 REV.